

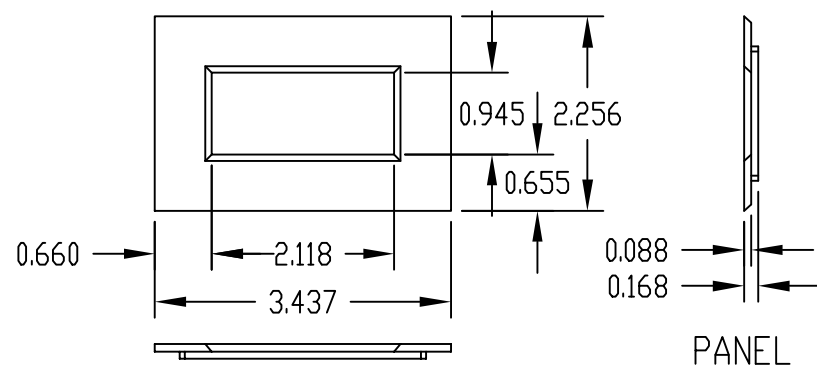
PART NAME PLASTIBOX (STYLE "G") WITH BATTERY COMPARTMENT

PART No.

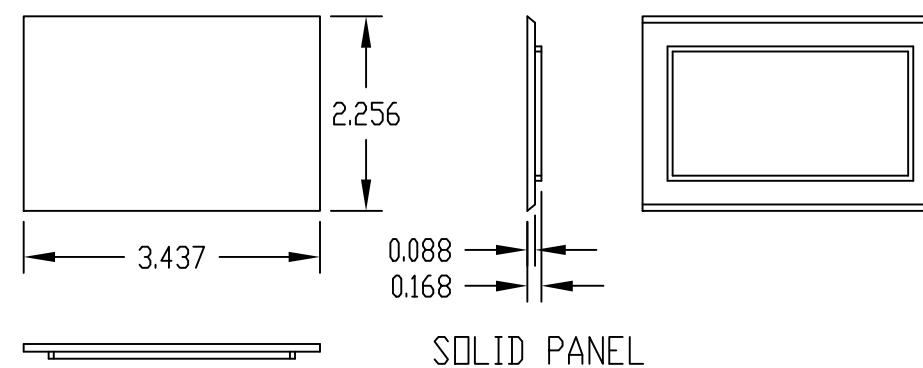
PSP-11572

REV. DATE

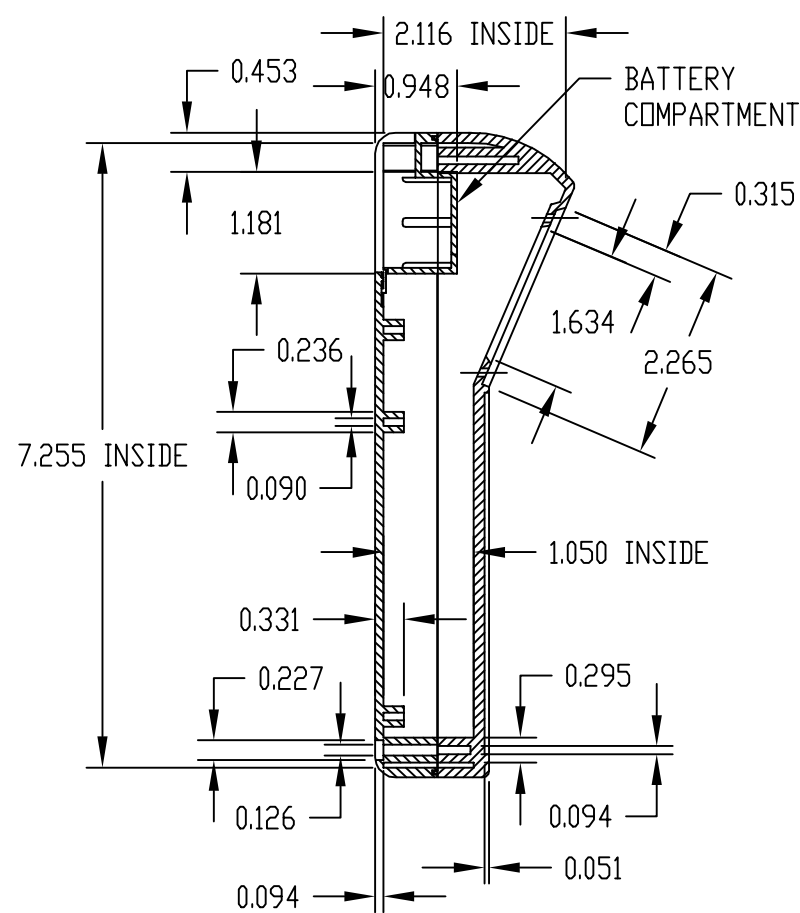
4-6-05



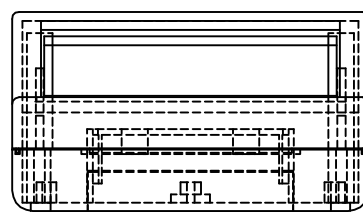
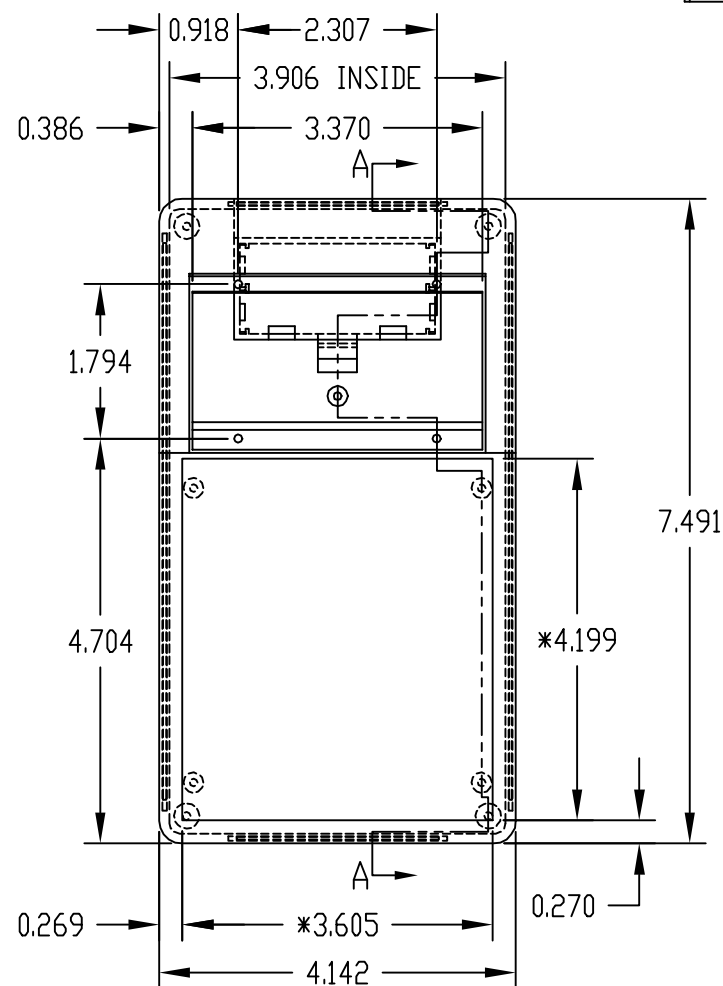
PANEL



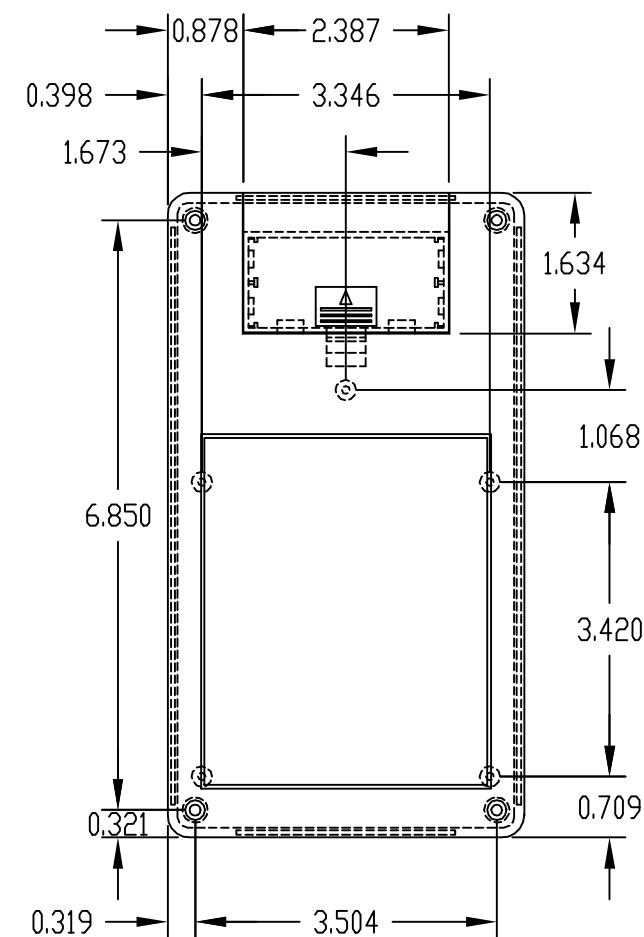
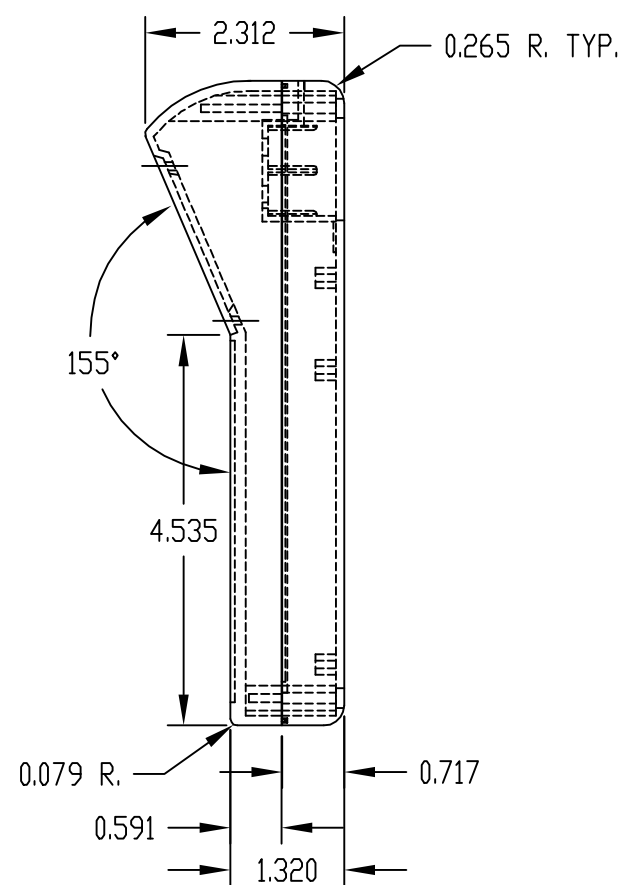
SOLID PANEL



SECTION "A-A"



BASE AND COVER



NOTE:  
BATTERY COMPARTMENT CAN BE PLACED UNDER  
DISPLAY AREA (AS SHOWN) OR UNDER KEYPAD AREA.

MATERIAL - HIGH-IMPACT ABS  
COLOR - BLACK  
- LIGHT GRAY  
FINISH - TEXTURED BODY WITH  
SMOOTH TOP INSERT AREA  
\* - SMOOTH AREA  
(4) M3 x 25.4mm SCREWS INCLUDED.  
ALL DIMENSIONS HAVE ±0.015 TOLERANCE.